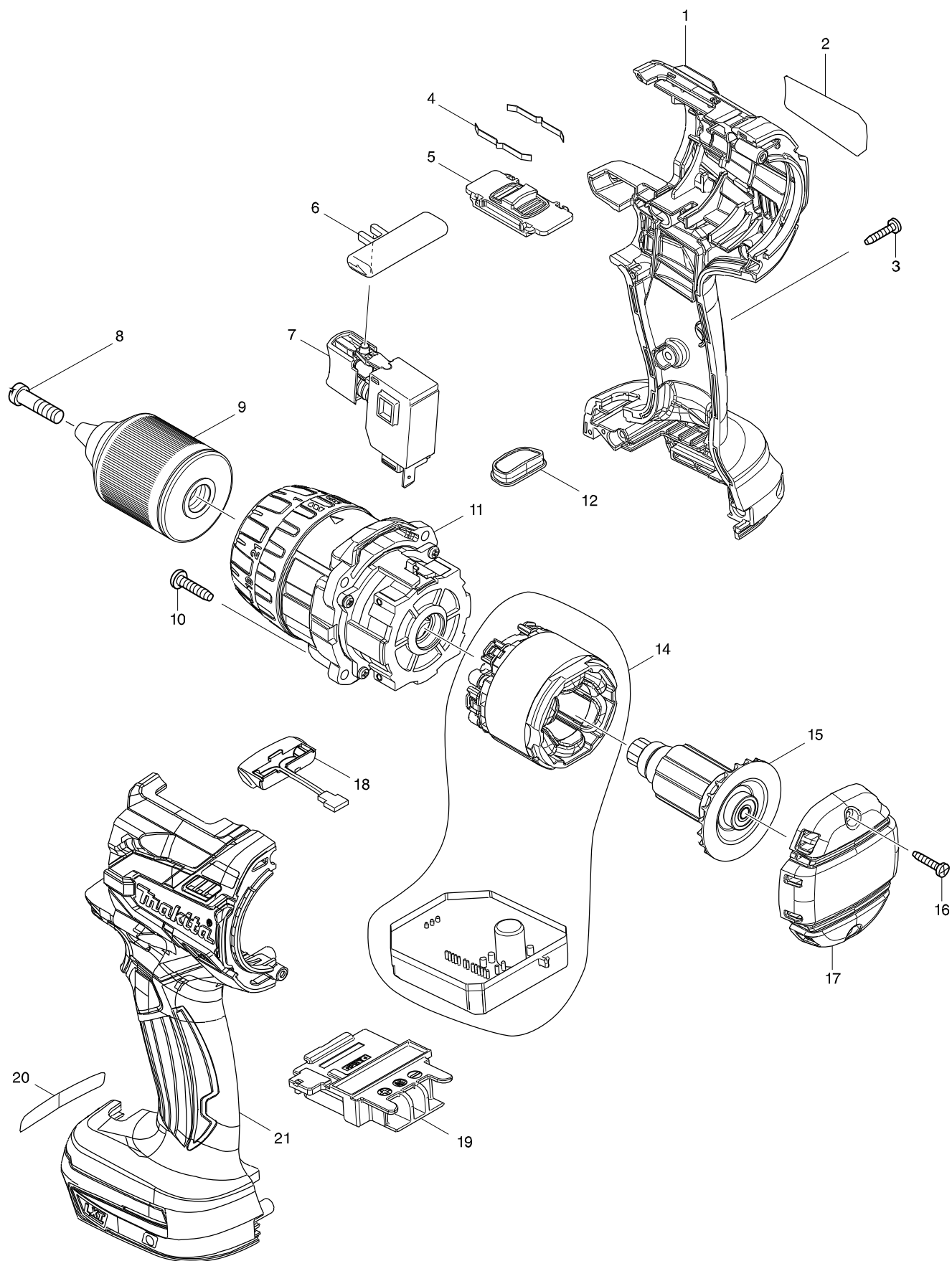


# Modellszám DDF481 CORDLESS DRIVER DRILL



Tétel	Cikkszám	Megnevezés	Átalak	Menny.	N/O	Opc 1	Opc 2	Megjegyzés
001	187921-4	HOUSING SET		1				
C10	263005-3	RUBBER PIN 6		2				
D10		INC. 21						
002	815S56-2	DDF481 NAME PLATE		1				
003	266130-9	TAPPING SCREW BIND PT 3X16		7				
004	232220-0	LEAF SPRING		2				
005	126411-2	SPEED CHANGE LEVER ASSEMBLY		1				
C10	233438-6	COMPRESSION SPRING 4		2				
006	419250-0	F/R CHANGE LEVER		1				
007	650710-5	SWITCH C3JW-4B		1				
008	251468-5	- FLAT HEAD SCREW M6X22		1				
009	766015-4	KEYLESS DRILL CHUCK 13		1				
010	265995-6	TAPPING SCREW 4X18		4				
011	126409-9	GEAR ASSEMBLY		1				
012	142263-3	INDICATOR PANEL COMPLETE		1				
014	629116-8	STATOR COMPLETE		1				
015	619336-2	ROTOR		1				
016	266130-9	TAPPING SCREW BIND PT 3X16		2				
017	455011-4	REAR COVER		1				
018	620283-2	LED CIRCUIT		1				
019	643899-6	TERMINAL		1				
021	187921-4	HOUSING SET		1				
C10	263005-3	RUBBER PIN 6		2				
D10		INC. 1						
A01	126412-0	GRIP ASSEMBLY		1				
C10	142652-2	POLE COMPLETE		1				
C20	142653-0	ARM R COMPLETE		1				
C30	266886-4	HEX. BOLT M8X65		1				
C40	319129-4	ARM L		1				
C50	962055-2	RETAINING RING (INT) R-15		1				
A02	251314-2	+ SCREW M4X12		2				
A03	346317-0	HOOK		1				
A04	452947-8	BIT HOLDER		1				
A05	784637-8	+ - BIT 2-45		2				
A06B	821550-0	CONNECTOR PLASTIC CASE (TYPE2)		1				
C10	453974-8	LATCH		4				
A06C	821550-0	CONNECTOR PLASTIC CASE (TYPE2)		1				
C10	453974-8	LATCH		4				
A07B	837916-4	INNER TRAY		1				
A07C	837916-4	INNER TRAY		1				
A08B	804D68-0	DDF481RMJ INDICATION LABEL		1				
A08C	804D70-3	DDF481RTJ INDICATION LABEL		1				
A09B	804D69-8	DDF481RMJ PLASTIC CASE LABEL		2				
A09C	804D71-1	DDF481RTJ PLASTIC CASE LABEL		2				
A10B	450128-8	BATTERY COVER		1				
A10C	450128-8	BATTERY COVER		1				
A11B	196399-0	BATTERY BL1840 SET		2	*			
A11C	196671-0	BATTERY BL1850 SET		2	*			

