

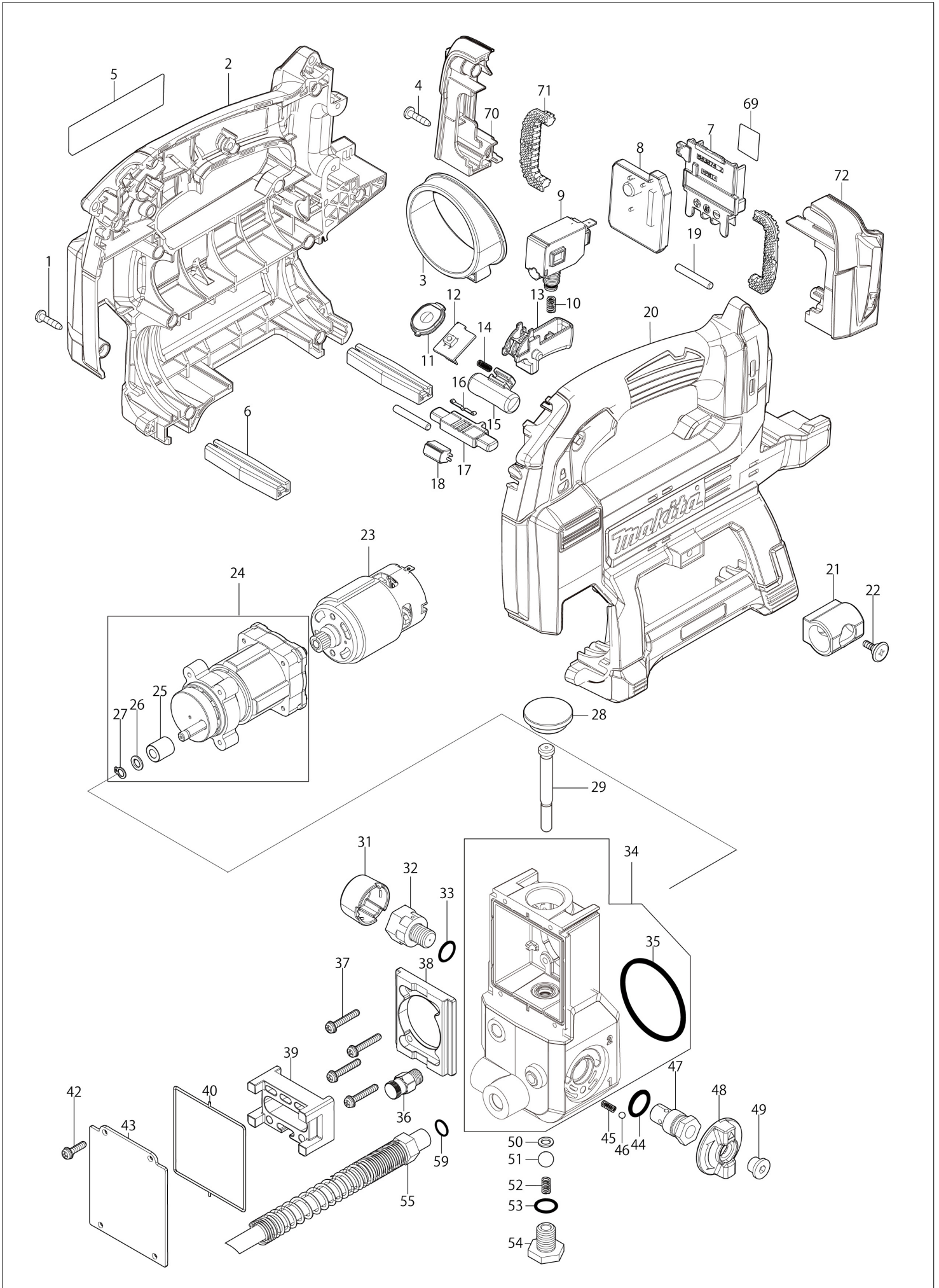


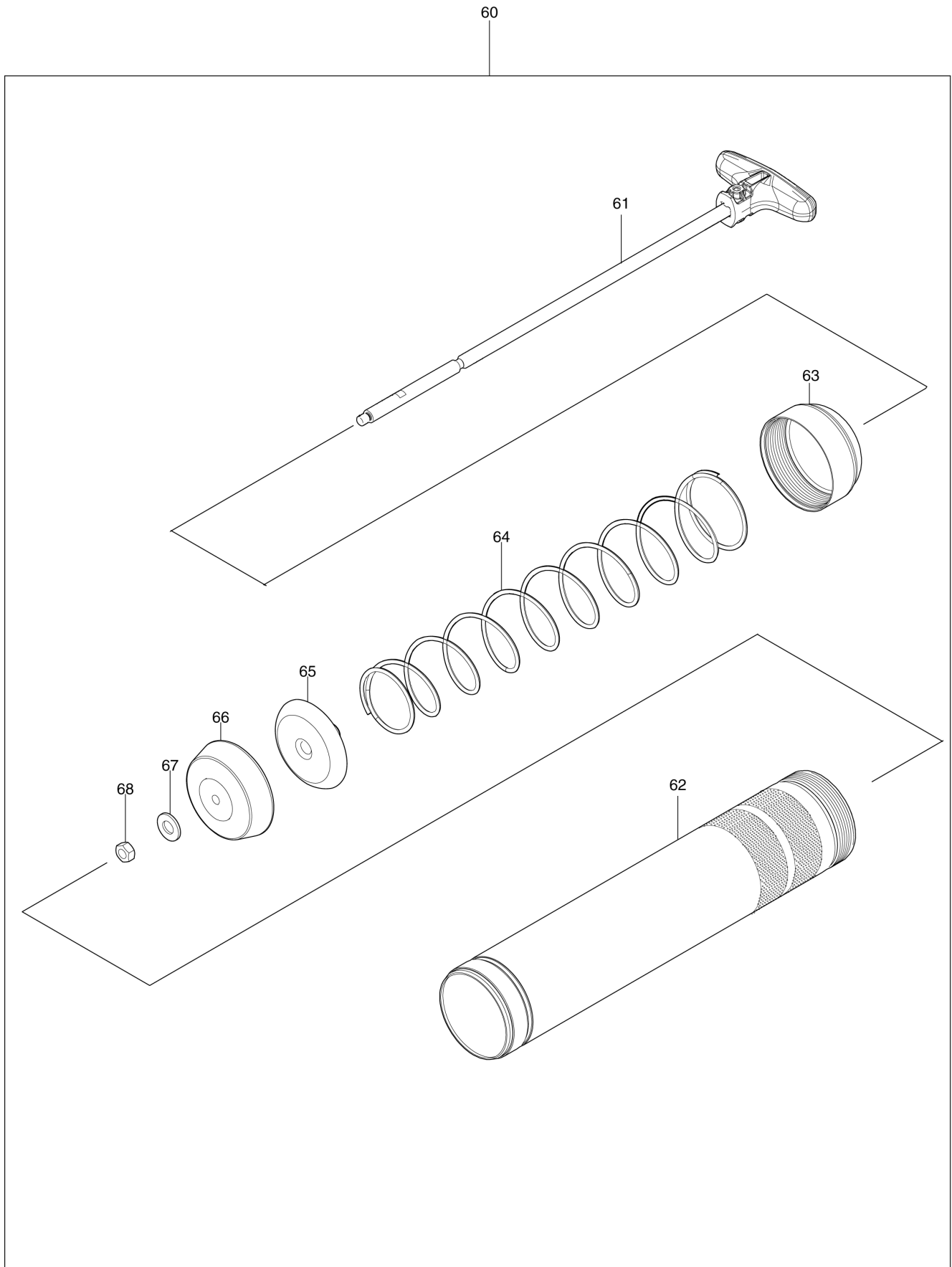
Robbantott ábra / Alkatrészlista

DGP180

Akkumulátoros zsírzógép

DGP180 / Akkumulátoros zsírzógép





DGP180 / Akkumulátoros zsírzógép

Item	Sub	Parts No.	Parts Description	Qty	I/C	E/C No.	Close No.	Remark
001		265995-6	TAPPING SCREW 4X18	13				
002		183R38-9	HOUSING SET	1				
	C10	263002-9	RUBBER PIN 4	2				
	C20	252126-6	HEX. LOCK NUT M4-7	2				
	D10		INC. 20					
003		459621-9	BARREL HOLDER	1				
004		265995-6	TAPPING SCREW 4X18	2				
005		856C52-5	DGP180 NAME PLATE	1				
006		422479-9	FOOT	2				
007		644809-6	TERMINAL	1				
008		620A88-6	CONTROLLER	1				
	C10	688164-6	LINE FILTER	1				
009		651391-8	SWITCH C3JW-6BM-PN	1				
010		233306-3	COMPRESSION SPRING 4	1				
011		140M75-6	SWITCH PLATE COMPLETE	1				
	C10	819V26-1	SWITCH LABEL	1				
012		620A89-4	SWITCH CIRCUIT	1				
013		459623-5	SWITCH LEVER	1				
014		231433-0	COMPRESSION SPRING 4	1				
015		419705-5	LOCK ON BUTTON	1				
016		232201-4	LEAF SPRING	1				
017		459624-3	LOCK OFF BUTTON	1				
018		620A90-9	LED CIRCUIT	1				
019		268306-4	PIN 5	2				
020		183R38-9	HOUSING SET	1				
	C10	263002-9	RUBBER PIN 4	2				
	C20	252126-6	HEX. LOCK NUT M4-7	2				
	D10		INC. 2					
021		422643-2	HOSE HOLDER	1				
022		265B56-4	+FLAT HEAD SCREW M4X14	1				
023		629387-7	DC MOTOR	1				
024		136124-7	GEAR ASSEMBLY	1				
	D10		INC. 25-27					
025		214079-7	PLANE BEARING 6	1				
026		253477-0	FLAT WASHER 6	1				
027		961002-0	RETAINING RING S-6	1			D6566	
027-1		961022-4	RETAINING RING (EXT) ROUND S-6	1	O	D6566		
028		286043-8	CAP 32	1				
029		256951-7	SHOULDER PIN 7-8	1				
031		459622-7	VALVE COVER	1				
032		140M83-7	RELIEF VALVE COMPLETE	1				
033		213918-8	O-RING 12.5	1				
034		136128-9	PUMP HOUSING ASSY	1				
	C10	265A55-0	H.S.SET SCREW(FLAT POINT)NPT1/	1			D8515	
	C11	265A55-0	H.S.SET SCREW(FLAT POINT)NPT1/	1	O	D8515		
	D10		INC. 35					
035		422476-5	RUBBER PACKING A	1				
036		162667-3	DRAIN VALVE	1			D8515	
036-1		162667-3	DRAIN VALVE	1	O	D8515		
037		911148-2	PAN HEAD SCREW M4X25	4				
038		310961-9	SLIDER GUIDE	1				
039		310960-1	SLIDER	1				
040		422480-4	SEAL RING	1				
042		911128-8	P.H.SCREW M4X16 WITH WR	4				
043		347546-8	PUMP COVER	1				
044		213182-1	O RING 14	1				
045		233151-6	COMPRESSION SPRING 4	1				
046		216008-6	STEEL BALL 4	1				
047		140M82-9	CHANGE VALVE COMPLETE	1				
048		459620-1	THUMB	1				
049		265A57-6	HEX. SOCKET HEAD BOLT M10X7	1				
050		257494-2	RING 8	1				
051		216003-6	STEEL BALL 10	1				
052		232557-5	COMPRESSION SPRING 4	1				
053		213918-8	O-RING 12.5	1				

B:DGP180RT(H)

Interchange
O : Yes
X : No
< : the new part can be substituted for the current.
> : the current part can be substituted for the new.
S : Interchangeable as a set.

